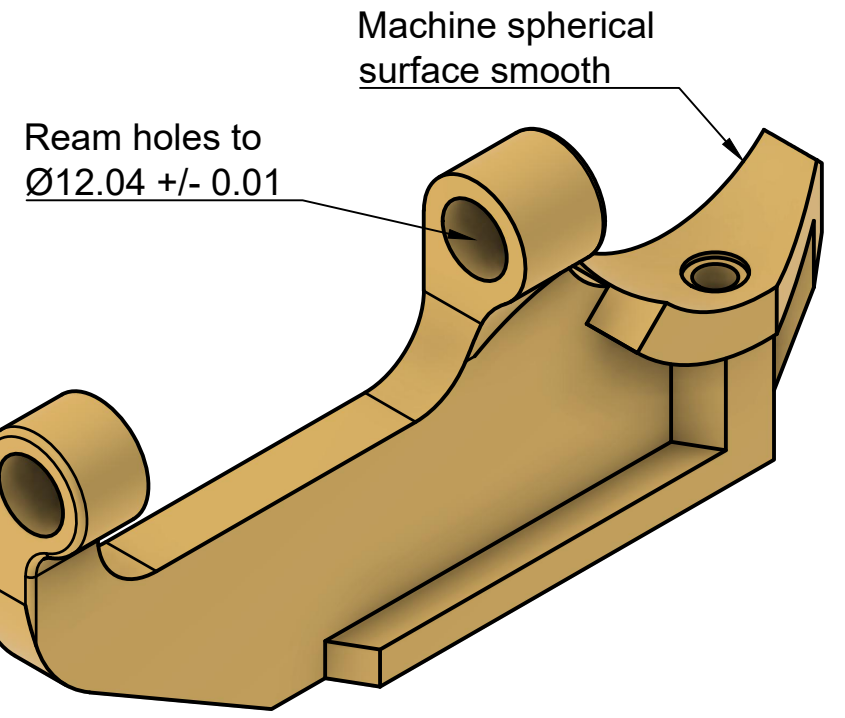
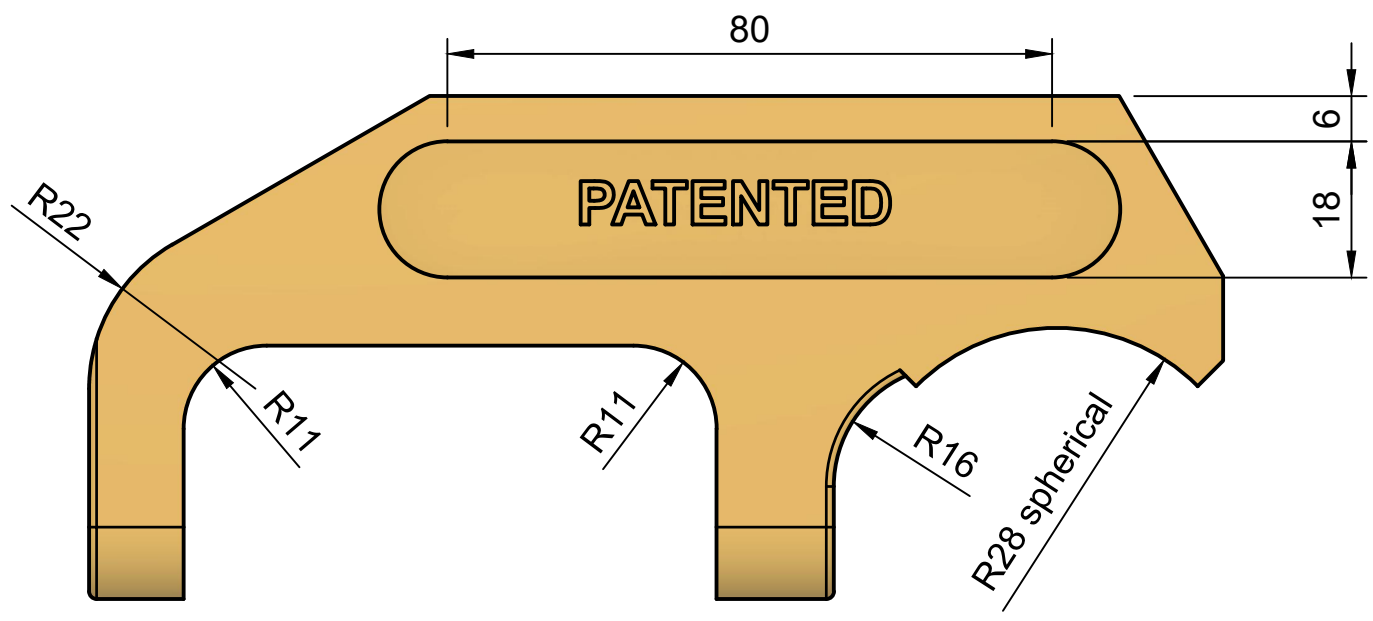
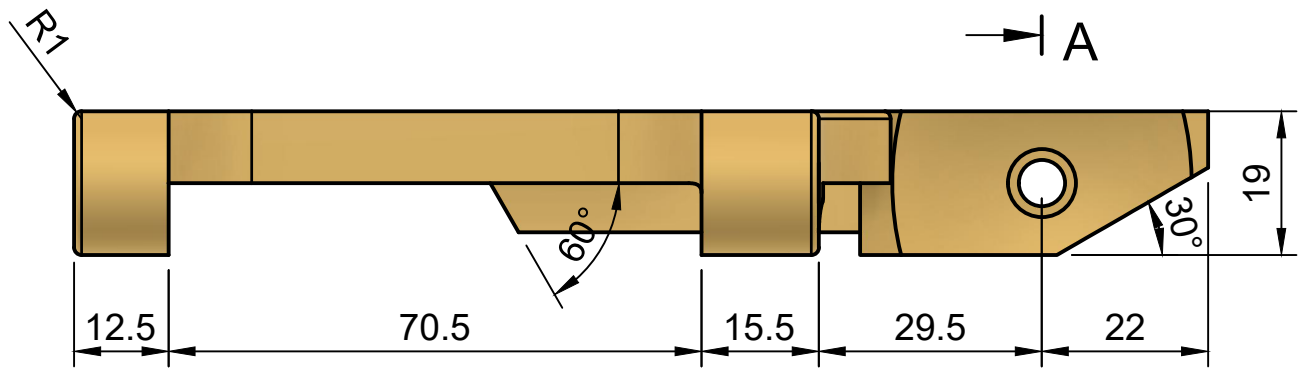
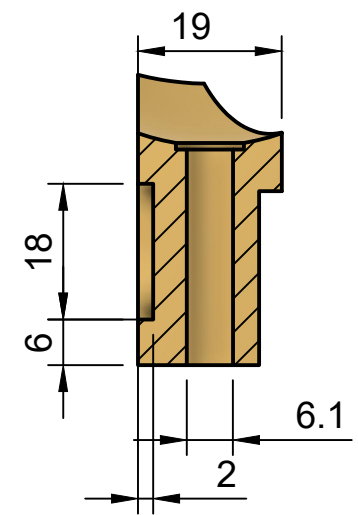


Section A-A



HINGE PLATE, MODEL SE2
 Investment cast from aluminium bronze AB2
 Design: GJ Fenton. Drawn: 25 Sept 2019