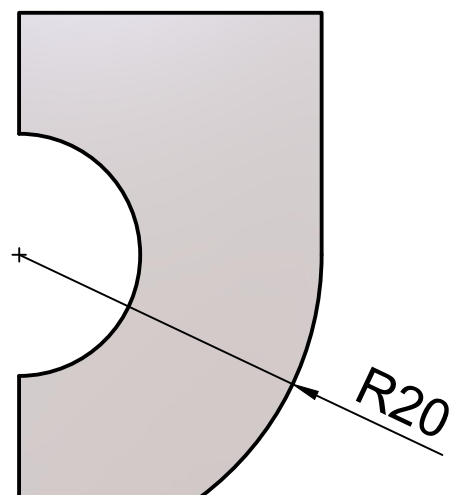
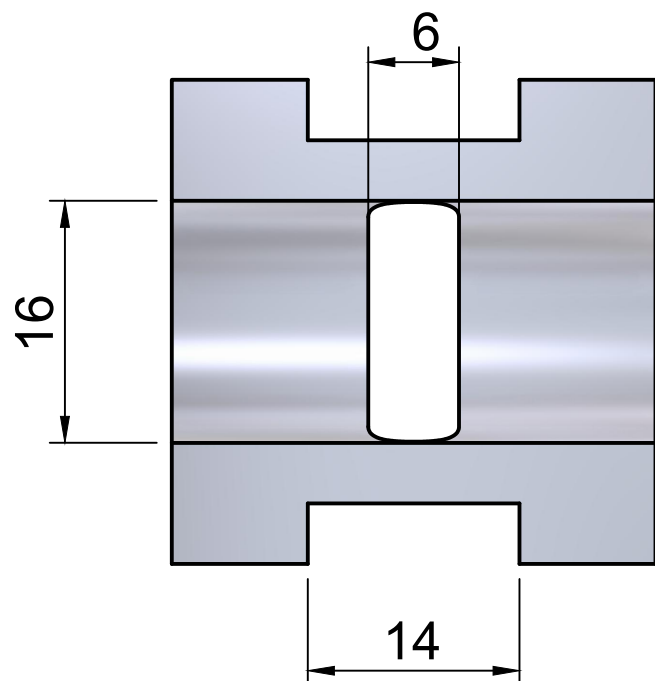
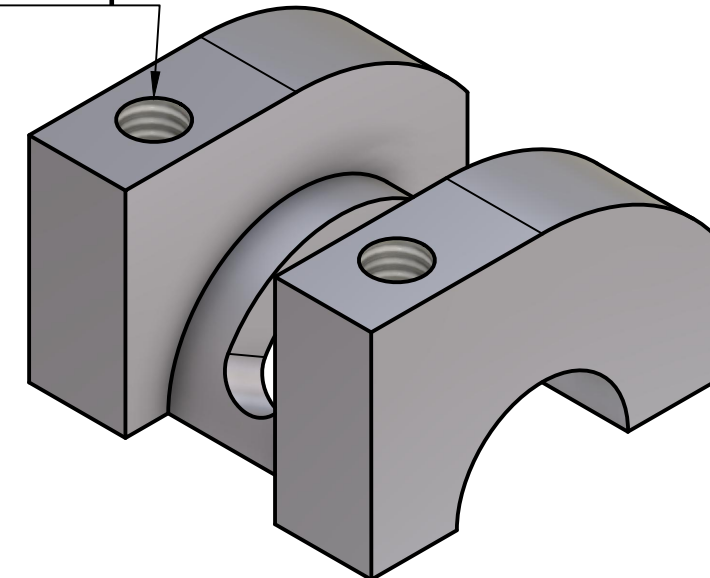


Mounting holes.
Tap M6 x 10 deep



HEMI-HINGE / HINGE BODY
Material: Mild Steel
Design: A Bottomley, 6 June 2020